

Sensor Holders

for Shaft Collars GN 7062.1 / GN 7072.1,
Stainless Steel

SPECIFICATION

Type

- Type L: Angled
Stainless steel AISI 304
Matte shot-blasted

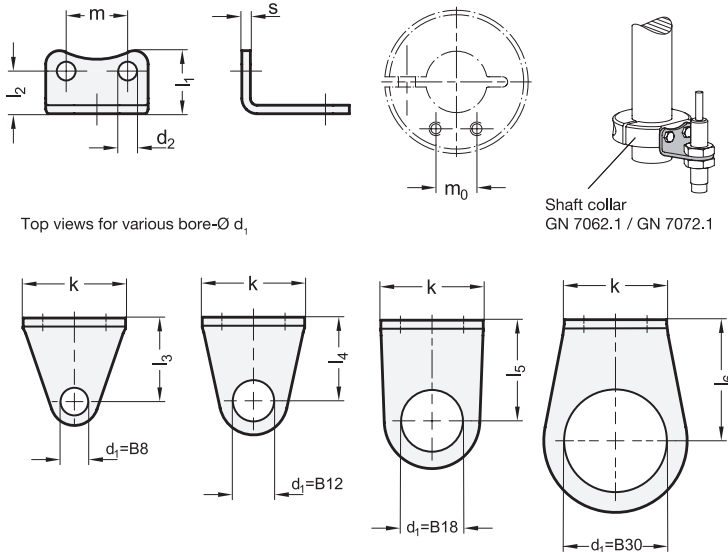
INFORMATION

The sensor holders GN 7062.10 are designed for holding sensors attached with two lock nuts.

The holes d_2 match the extension-tapped holes of the shaft collars GN 7062.1 (see page) / GN 7072.1 (see page) in measurement and facilitate axial or radial positioning of sensors.

TECHNICAL INFORMATION

- Stainless Steel Characteristics (see page A26)



Top views for various bore- $\varnothing d_1$

Shaft collar
GN 7062.1 / GN 7072.1

GN 7062.10

STAINLESS STEEL

Description	m_0	$d_1 + 0.1$	k	d_2	l_1	l_2	l_3	l_4	l_5	l_6	m	s	
GN 7062.10-B8-14-L	8	B 8	14	3.5	13	9.5	15	-	-	-	8	2	5
GN 7062.10-B12-14-L	8	B 12	14	3.5	13	9.5	-	19	-	-	8	2	7
GN 7062.10-B8-18-L	10	B 8	18	4.5	14.5	10.5	19	-	-	-	10	2	7
GN 7062.10-B12-18-L	10	B 12	18	4.5	14.5	10.5	-	24.5	-	-	10	2	10
GN 7062.10-B18-18-L	10	B 18	18	4.5	14.5	10.5	-	-	29.5	-	10	2	13
GN 7062.10-B8-23-L	12	B 8	23	4.5	17	12.5	19	-	-	-	12	2.5	12
GN 7062.10-B12-23-L	12	B 12	23	4.5	17	12.5	-	24.5	-	-	12	2.5	16
GN 7062.10-B18-23-L	12	B 18	23	4.5	17	12.5	-	-	29.5	-	12	2.5	20
GN 7062.10-B30-23-L	12	B 30	23	4.5	17	12.5	-	-	-	35.5	12	2.5	27
GN 7062.10-B8-30-L	18	B 8	30	5.5	18.5	12.5	24.5	-	-	-	18	2.5	18
GN 7062.10-B12-30-L	18	B 12	30	5.5	18.5	12.5	-	24.5	-	-	18	2.5	19
GN 7062.10-B18-30-L	18	B 18	30	5.5	18.5	12.5	-	-	29.5	-	18	2.5	24
GN 7062.10-B30-30-L	18	B 30	30	5.5	18.5	12.5	-	-	-	35.5	18	2.5	31